

NVR8-4100PN-V2

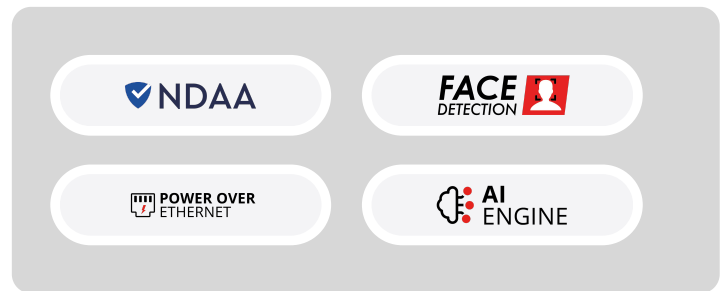
8MP 4CH PoE NVR embedded with check point protection, and NDAA compliance

Provision-ISR's NVR8-4100PN-V2 offers a seamless solution tailored for mid-sized installations (up to 8 channels). Integrated with the Check Point Quantum IoT Nano agent, it ensures advanced threat prevention in real-time and safeguards against common attack vectors. With 4 PoE ports and compliance with NDAA requirements, this device provides all the essential features for a hassle-free CCTV project.

4
CH

CHECK
POINT
EMBEDDED

8
MP



MAIN FEATURES

- NVR8-4100PN-V2 Video Input:
 - 4 Channels (PoE) Video Output:
 - HDMI – 4K
 - VGA Recording:
 - 4CH 8MP Real-Time
 - FPS: 100 (PAL) / 120 (NTSC) Playback:
 - Local: 4Ch Simultaneously
 - Remote: 4Ch Simultaneously Audio:
 - Input: 1CH + IPC Inputs
 - Output: 1CH + IPC Output
 - 2 Way Audio Alarm:
 - Input: Based on IPC only
 - Output: Based on IPC only
 - Storage:
 - 1 x SATA (Up to 10TB each)
 - Network:
 - 1 x RJ-45: 10/100/1000Mbps PTZ:
 - Network PTZ Support
 - Power Supply:
 - DC 48V/1.36A
 - Analytics: AI by IPC:
 - All Analytics Supported by the camera AI By NVR:
 - Up to 2Ch DDA1 (Sterile Area/Line Crossing) or
 - Up to 2Ch Face Detection Based on FW Version: v1.4.10
- Features subject to firmware version changes



SPECIFICATIONS

3rd Party Cyber Protection	
General	Quantum IoT Nano agent by Check Point™
Protection Methods	Shell injection protection, File Monitor, Import-Table Protection, Dynamic-Memory Protection
NDAA Compliant	
NDAA Compliant	Yes
Video	
Video Input	4Ch over Network
Output	HDMI (4K, 1080P), VGA (1080P, 1280x1024, 1024x768)
View Mode	Mirrored
Fish-Eye Dewarp	Web Only
Decoding Format	H.265 / H.265+ / H.265S / H.264
Decoding Capabilities	1Ch – 8MP ; 4Ch – 2MP
Audio	
Audio-specs-Input	1CH RCA (Linear, 1kΩ) + IPC inputs
audio-specs-Output	1CH RCA (2.0 Vp-p, 1 kΩ) + IPC outputs
Compression	G.711A/G.711U
Two Way Audio	Yes
Analytics	
Supported Analytics	Camera Tampering, DDA2 With Object Classification, Line Crossing (DDA / Pixel Based), Sterile Area (DDA / Pixel Based), Object Monitoring, Object Counting (DDA), Crowd Gathering, People Intrusion, Smart Search, LPR, Thermal
Analytics Channels (IPC Based)	4Ch (Requires supporting IPC)
Analytic Channels (NVR Based)	Up to 2Ch DDA1 (Sterile Area/Line Crossing) or Up to 2Ch Face Detection (or their combinations)
Face Recognition Rate	N/A
Bandwidth	
Incoming	80Mbps

Outgoing	80Mbps
Record/ Main Stream	
Real-Time Recording	4CH 8MP Real-Time
Record Type	Video / Video + Audio
Recording Modes	Schedule, Manual, Motion, Sensor, Analytics, POS and all of the combinations
16MP	N/A
12MP	N/A
8MP	120FPS(NTSC)/100FPS(PAL)
5MP and lower	120FPS(NTSC)/100FPS(PAL)
Master stream over network	Up to 4CH@Recording Resolution
Substream	
Resolution substream	Depends on IPC
Remote view	
Max Channel View	20Ch (Limited to Outgoing Bandwidth Capacity)
Remote Applications	
User Access	64 Users online with Professional Authority Management
Mobile App	Provision Cam2 for iOS/Android
PC/Mac Software	Ossia VMS Standard / Enterprise
Plug-in free Web-Browser	Chrome, FireFox, Safari, Edge, Opera.
Plug-in based Web-Browser	Internet Explorer
Playback	
Local	4Ch
Remote	4Ch

Search Mode	DDA Object, Smart Search, LPR, Time-Slice, Time, Event, POS
Backup	
USB	2 USB 2.0 Port
Backup Format	AVI (Unencrypted) / Private Format (Encrypted / Unencrypted)
Alarm	
Alarm-in	Based on IPC only
Alarm-out	Based on IPC only
Storage	
HDD	1
E-Sata Support	No
RAID	N/A
PTZ	
Connection	Via Network
Supported Controls	Pan, Tilt, Zoom, Preset, Cruise, Scan, Iris, Focus
RS-485	N/A
Network	
Ethernet	1000/100/10Mbps self-adaptive Ethernet interface
Protocols	TCP/IPv4/IPv6, DHCP, DDNS, NTP, SMTP, SSL/TLS, UPnP, P2P, RTSP, FTP, HTTPS, 820.1X, SNMP, Auto Report (Ossia VMS)
ONVIF	Full Device Support (Profile T/G, ONVIF Version 20.12)
PoE	
PoE Ports	4xRJ45
Speed	10/100Mbps (10Mbps under CCTV Mode)
Standard	PoE (IEEE802.3AF/AT)

NVR8-4100PN-V2

CCTV Mode	Yes (Up to 200m and 10Mbps bandwidth)
Total Power	48W (Average 12W per Channel)
Max. Power Output (Per Ch.)	~25.5W
Others	
Power Supply	DC 48V/1.36A
Power consumption (No HDD)	10W
Dimension	W300xD249xH45mm
Operation Temperature	0°C~50°C

DI-360IPEN-28-V4

20m IR 6mp DDA Analytics Fixed Lens Small Dome/Turret Camera With Built-in Check Point Protection and Dual System technology

Equipped with a 2.8mm fixed lens, this 6MP camera is designed for short-distance surveillance (up to 20m) in indoor and outdoor scenarios. Fitted with the new "Dual System" technology, the camera can deal with internal anomalies independently, making it more redundant to software-based issues. The camera offers broad possibilities for Analytics, from Face Detection to the outstanding DDA Analytics (Detect, Distinguish, Alert) and the newly developed DDA2, which can perform object recognition, object counting, and investigate specifics such as age, color, gender, vehicle brand and much more. The DI-360IPEN-28-V4 camera is here to end false alarms. Check Point Quantum IoT Nano agent is integrated into this model. It provides an advanced threat prevention layer against the common attack vectors at runtime.



1/3 Sensor family	2.8 mm Lens	20m IR IR View 0 Lux	PoE	WDR True
Audio IN	Audio OUT	Build-In Mic	IP67 Protection rating	

DDA 2 nd ANALYTICS	Infra Red	face detection
NDA	FIXED LENS	ONVIF T S G

MAIN FEATURES

- DI-360IPEN-28-V4
- Sensor: 1/2.5" CMOS (16:9)
- Resolution: 3296×1856 25/30FPS (6MP)
- Lens: 2.8mm (104°)
- True Day&Night - ICR
- Illumination: 20m (1 High-Power IR LED)
- Compression: H.265+ / H.264+ / H.265 / H.264 / MJPEG
- Quantum IoT Nano agent by Check Point™
- General Analytics: Camera Tampering
- AI (Object Recognition): DDA Sterile Area, DDA Line Crossing, DDA Object Counting (Line), DDA Object Counting (Area), DDA Loitering Detection, DDA Illegal Parking Detection
- AI (Face Detection): 10 Faces per frame
- AI: Heatmap
- DDA2: Advanced Object Classification
- True WDR (120dB), BLC, HLC, ROI
- SD Card: Event/Schedule Record (Up to 256Gb)
- Built-in Microphone + Audio input + Audio output
- ONVIF: Profile T/S/G
- Water Proof: IP67
- Weight: ~540g
- Power: DC12V/~500mA / PoE/~6.5W



SPECIFICATIONS

3rd Party Cyber Protection	
General	Quantum IoT Nano agent by Check Point™
Protection Methods	Shell injection protection, File Monitor, Import-Table Protection, Dynamic-Memory Protection
NDAA Compliant	
NDAA Compliant	Yes
Video	
Image Sensor	1/2.5" CMOS (16:9)
Effective Pixels	3296x1856
Electronic Shutter	1/4s ~ 1/100000s
Day & Night	ICR
Min. Illumination	0.008lux (@F1.6, AGC on) 0lux with IR on
Audio	
Audio compression	G.711A/G.711U
Communication	Two-Way Audio
Image	
Image Settings	AWB, AGC Adjustable, Exposure Mode (Auto) Sharpness, Saturation, Brightness & Contrast Adjustable
Image Enhancement	True WDR (120dB), BLC, HLC, ROI
Noise Reduction	3D-DNR
Image Orientation	Mirror/Flip, Corridor Mode
Privacy Zone	Yes
Events and Analytics	
Analytics	General Analytics: Camera Tampering AI (Object Recognition): DDA Sterile Area, DDA Line Crossing, DDA Object Counting (Line), DDA Object Counting (Area), DDA Loitering Detection, DDA Illegal Parking Detection AI (Face Detection): 10 Faces per frame AI: Heatmap DDA2: Advanced Object Classification
Motion Detection	Yes
Compression	

Resolution	6MP (3296x1856) / QHD (3200x1800) / 2880x1624 / 2688x1520 / 2MP (1920x1080) / 1MP (1280x720) / D1 (704x576) / CIF (352x288)
Frame Rate	1-25/30FPS
Video Compression	H.265+ / H.264+ / H.265 / H.264 / MJPEG**
Multi-Stream	Master Stream: 6MP(3296x1856) / QHD (3200x1800) / 2880x1624 / 2688x1520 / 2MP (1920x1080) Substream: 1MP/QVGA/D1/CIF Third Stream: QVGA/D1/CIF (1~30fps)
Bit Rate	64Kbps ~ 8Mbps@H.265 / 128Kbps ~ 10Mbps@H.264
Encode Mode	VBR/CBR
Image Quality	Five levels under VBR; Free adjustment under CBR

Lens	
Lens (Field of View)	2.8mm (104°)
Iris	Fixed Iris
Lens Mount	M12 Mount
Detect	71m(232ft)
Recognize	14m(46ft)
Identify	7m(23ft)

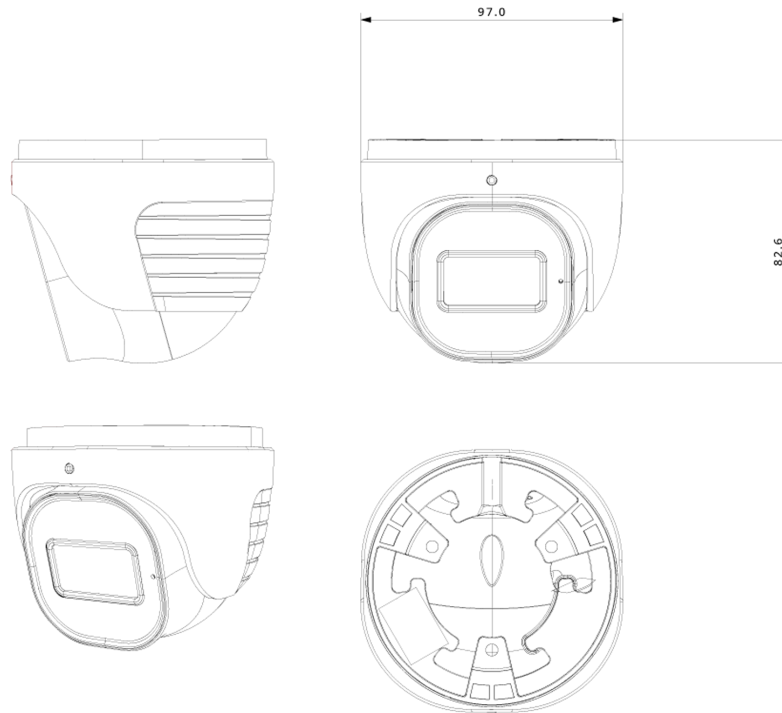
Network	
User Access	Supports simultaneous monitoring of up to 10 users with multi-stream real-time transmission
Network Protocol	IPv4, IPv6, TCP, UDP, DHCP, NTP, DDNS, 802.1X, RTSP, RTMP Multicast, UPnP, Email, FTP, FTPS, SFTP, HTTPS, QoS, HTTP POST, Auto Report, P2P
Remote Monitoring	IE Browsing (Plug-In required), Chrome/Edge/Safari/Firefox plug-in free browsing, Ossia VMS Software, Provision Cam2 Mobile App
Ethernet	100Mbps
ONVIF	Profile T/S/G

Connectivity	
Network	RJ45 (+PoE)
Audio Connectivity	Built-in Microphone + Audio input + Audio output

Alarm	No
SD Card	Event/Schedule based Main/Substream recording (Up to 256Gb)
Wiegand	No
Power	DC Socket
Analog Video Output	No

Housing	
PoE	Yes
Illumination	20m (1 High-Power IR LED)
Power Supply	DC12V/~500mA / PoE/~6.5W
Protection Rate	Water Proof: IP67
Work Environment	-30°C~60°C, 10%~90% Humidity
Bracket	3-Axis Bracket
Dimensions	Ø97mm×82.6mm
Weight (gross)	~540g
Hard Reset Button	Yes

DIMENSIONS



ACCESSORIES

